



# BARDI

## MACHINES FOR WOODWORKING

**DUMBO S.R.L. IT 01903010518**  
warehouse and office : 52011 BIBBIENA (AR) – ITALY  
Via Umbro Casentinese, 148/b - 154  
Tel / Fax +39 0575 536588  
general email: [info@bardimacchine.com](mailto:info@bardimacchine.com)  
administration email [info@dumbosrl.com](mailto:info@dumbosrl.com)  
[www.bardimacchine.com](http://www.bardimacchine.com)

### HYDRAULIC LOG BAND SAW DUMBO

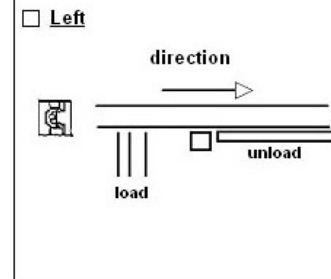
#### LEFT HAND SENSE

year 2007

max diameter 1200 mm

nr. 2 different tightening pressures

max trunk length mt 7/8 meters – mini trunk length 2 meters



#### LOG BAND SAW DUMBO ST 1300 sn. 104/2007

- Solid cast iron flywheels grinded and rectified in the band of diameter mm 1200
- nr. 02 Flywheel face width mm 120 – blade mm 130
- nr. 02 Flywheel face width mm 140 – blade width mm 150
- Manual-electric inclination of the top flywheel for projection blade adjusting
- Automatic blade-tensioning
- Multiple chains conveyor for boards unloading and cleaning positioned next to the band saw, activated by electric motor
- Automatic lubrication of both blade and flywheel by naphtha in basins equipped with felt, positioned in key points of the machine
- Squared protection case (carter) that cover the blade completely in emergency and stop
- Main motor HP 60 V.380/50 at star-delta starting
- Pulley, belts

#### HYDRAULIC LOG CARRIAGE DUMBO ELEPHANT 1300 CEE sn. 103/2007

- nr. 03 hydraulic clamps
- Max gripper hooks opening mm 900
- Hydraulic gripper hooks closing at nr. 02 pressures according to the wood essence
- Hydraulic buffer of log centring simultaneously and separately
- Electronic thickness divider MUDATA linked to an axe control for setting primed thicknesses and cutting programs
- nr. 02 electro-hydraulic chained log-rotary arms, tilting up to 90° to ease log rotation and capsizing
- Hydraulic feed at variable speed in continuous
- Return speed 0-60 m / min
- Centralized and automated lubrication system
- Control drive at double station and chair: all operations of the carriage can be driven by two multifunction handles/joysticks.
- Length mt 5
- Distance between the clamps: 1<sup>st</sup>-2<sup>nd</sup> : mm 2400 ; 2<sup>nd</sup>-3<sup>rd</sup> : mm 1600

#### PLAN OF FOUNDATION / INSTALLATION

Our company will supply the foundation geometry. Civil masonry works must be realized at customer's care according to the given instructions and to good construction rules, especially for building concrete frame on ground nature.



# BARDI

## MACHINES FOR WOODWORKING

DUMBO S.R.L. IT 01903010518

warehouse and office : 52011 BIBBIENA (AR) – ITALY

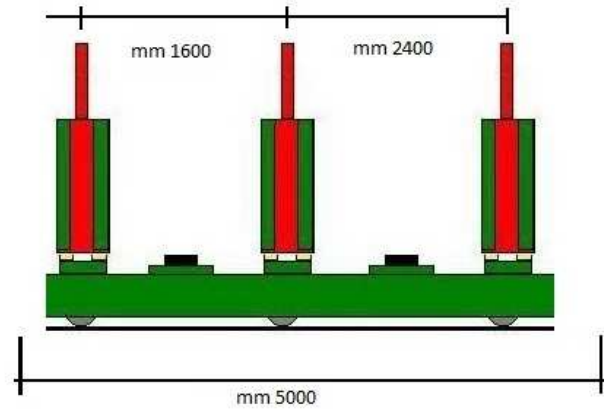
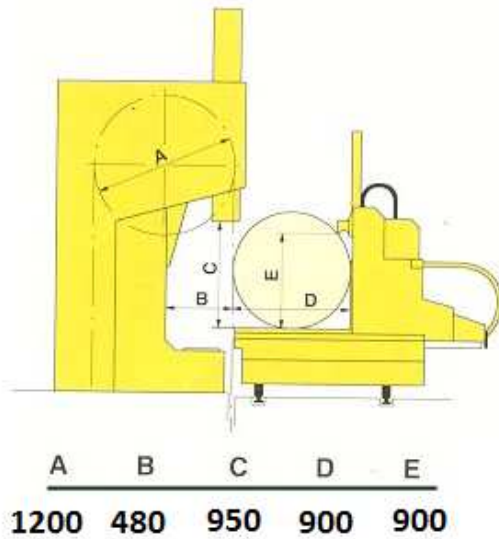
Via Umbro Casentinese, 148/b - 154

Tel / Fax +39 0575 536588

general email: [info@bardimacchine.com](mailto:info@bardimacchine.com)

administration email [info@dumbosrl.com](mailto:info@dumbosrl.com)

[www.bardimacchine.com](http://www.bardimacchine.com)





**BARDI**

**MACHINES FOR WOODWORKING**

**DUMBO S.R.L. IT 01903010518**

**warehouse and office : 52011 BIBBIENA (AR) – ITALY**

Via Umbro Casentinese, 148/b - 154

Tel / Fax +39 0575 536588

general email: [info@bardimacchine.com](mailto:info@bardimacchine.com)

administration email [info@dumbosrl.com](mailto:info@dumbosrl.com)

[www.bardimacchine.com](http://www.bardimacchine.com)

